

RF RECEIVERS

RF TUNERS • DEMODULATORS • DOWN-CONVERTERS



RF & Wireless Engineering

DISTINCTIVE FEATURES

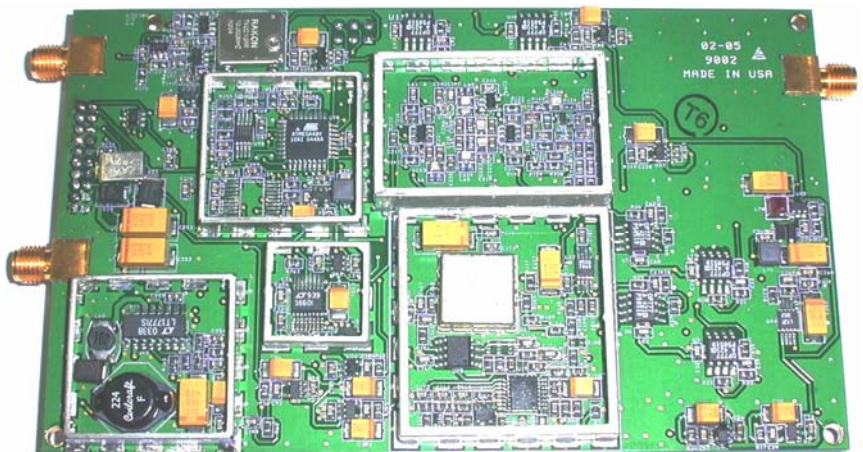
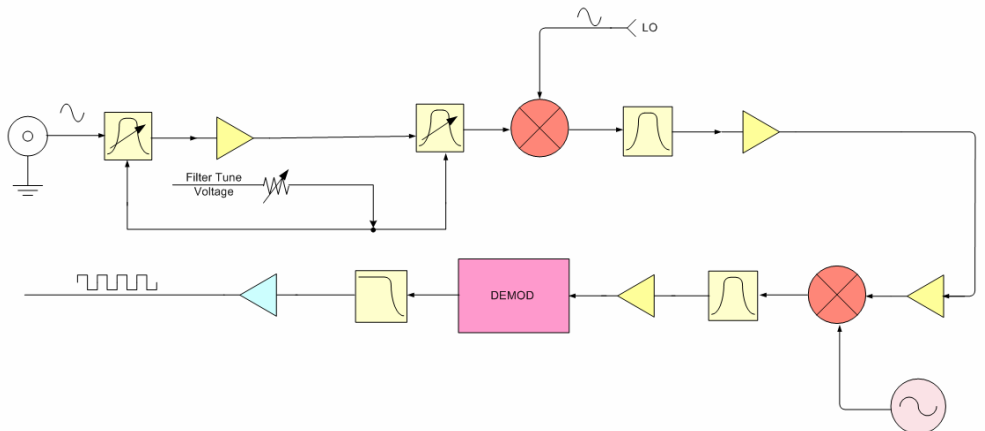
- High Sensitivity
- Low Noise Figure
- Wide Dynamic Range
- High Intercept Point
- Low Current
- Varactor Tuned Front-end Filtering
- Broadband Frequency Operation
- Automatic gain Control
- Small Form Factors
- Custom designs or Enhanced Reference Designs
- Many Years Experience in the Design of High Performance Receivers for the Military
- Receiver Designs for Commercial, Industrial, and Military Customers

HIGH PERFORMANCE RECEIVERS AND RF TUNERS

NuWaves provides state-of-the-art receiver designs to commercial, industrial and military customers. This includes both custom receiver designs and performance enhancements to existing designs.

Receivers have been designed with the following special attributes: low current, miniature form factor, high sensitivity, wide dynamic range, low noise figure, automatic gain control (AGC), varactor tuned band-pass filtering, and broadband frequency tuning ranges. In addition to exceptional performance, the receivers are built for high reliability, even in extreme environmental conditions. NuWaves receivers are high performance and provide much "bang for the buck".

HF, VHF, UHF, L-BAND, AND S-BAND CUSTOM DESIGNS FOR SIGNAL INTELLIGENCE (SIGINT) AND RF DATA RECEPTION



NuWaves Engineering • 122 Edison Dr. • Middletown, Ohio 45044
www.nuwaves-ltd.com • 513-360-0800