

# HIGH PERFORMANCE WIDEBAND RF TUNER



RF & Wireless Engineering

## FEATURES

- Tuning range 200 - 2500 MHz
- Frequency resolution 1 MHz
- NF 6 dB (typical) across entire frequency range
- 45 dB of Gain Control (1 dB Step Size)
- Max RF Input +10 dBm
- Customized Solutions
- OIP3 + 11 dBm
- Bandwidths (typical) 4-8%
- 12 VDC (typical) 9-16 VDC
- Current- Normal Mode 150 mA typical
- Digital Interface RS232 (9 pin mini D)
- Multi-Drop Configurable
- Operating Temperature -20° C to +50° C
- SMA Connectors for RF IN/ OUT
- VSWR (typical) <1.9 (Input/Output)
- Sleep Mode (<15 mA)
- Dithered Clock
- Configuration Storage Capability
- Case dimensions of 6.5" x 4.0" x 0.75"

*If you have other requirements, NuWaves provides state-of-the-art RF design services to customize products to your needs.*

## HiPerTUNER™ MODEL



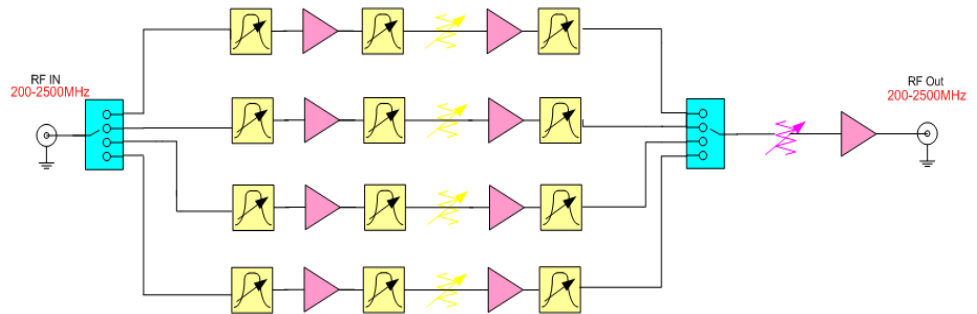
## DESCRIPTION

### *NuWaves High Performance Wideband RF Tuner:*

The **RF200-2500TUNV1** is the first in a family of Premier High Performance, Wideband, RF Tuners (**HiPerTUNER™**) which is designed for applications where selective filtering is needed such as in the front-end receivers and transmitter spectral requirements.

The **RF200-2500TUNV1** is digitally controlled via a simple terminal program which provides functionality to select frequency and attenuation control.

The **RF200-2500TUNV1** Wideband RF Tuner provides excellent performance and versatility over a wide frequency range, while being housed in a small ruggedized aluminum chassis.



**NuWaves Engineering • 122 Edison Dr. • Middletown, Ohio 45044**  
**www.nuwaves-ltd.com • 513-360-0800**